

1

2

3

4

5

6

A

A

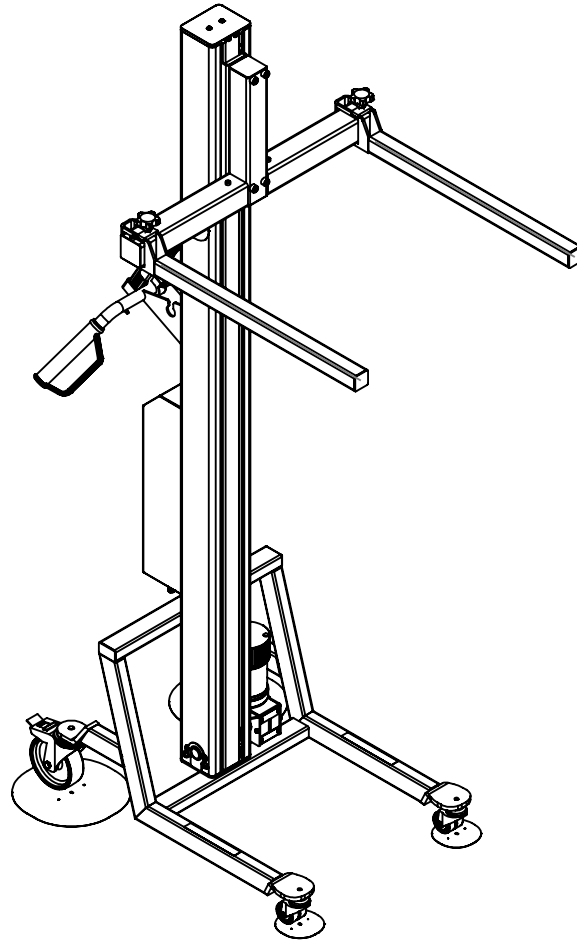
B

B

C

C

D



UNLESS OTHERWISE SPECIFIED:
 DIMENSIONS ARE IN MILLIMETERS
 SURFACE FINISH:
 TOLERANCES: ISO 2768-mK
 LINEAR:
 ANGULAR:

FINISH:

DEBUR AND
 BREAK SHARP
 EDGES

DO NOT SCALE DRAWING

REVISION

2Lift ApS

	NAME	SIGNATURE	DATE		
DRAWN	MHH				
UPD'D					

TITLE: B-80M-AF

MATERIAL:

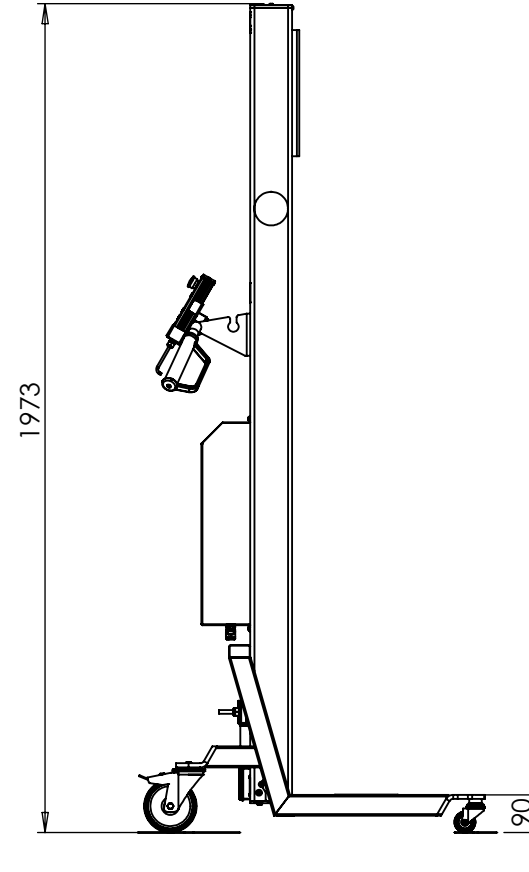
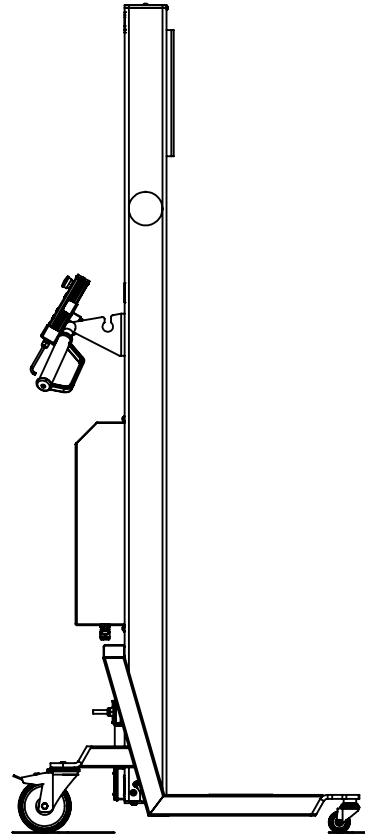
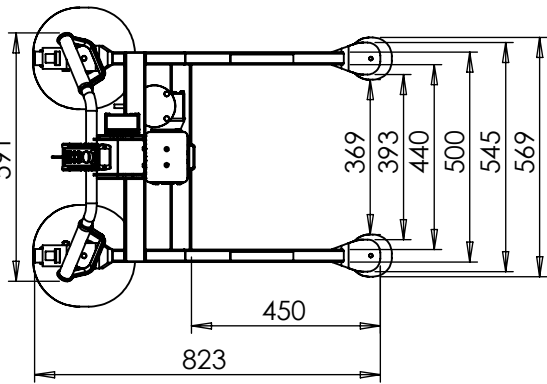
DWG NO. **1029326** A4

WEIGHT:

SCALE:1:50 SHEET 1 OF 6

1

2



UNLESS OTHERWISE SPECIFIED:
 DIMENSIONS ARE IN MILLIMETERS
 SURFACE FINISH:
 TOLERANCES: ISO 2768-mK
 LINEAR:
 ANGULAR:

FINISH:

DEBUR AND
 BREAK SHARP
 EDGES

DO NOT SCALE DRAWING

REVISION

2Lift ApS

TITLE: B-80M-AF

	NAME	SIGNATURE	DATE		
DRAWN	MHH				
UPD'D					

MATERIAL:

DWG NO.

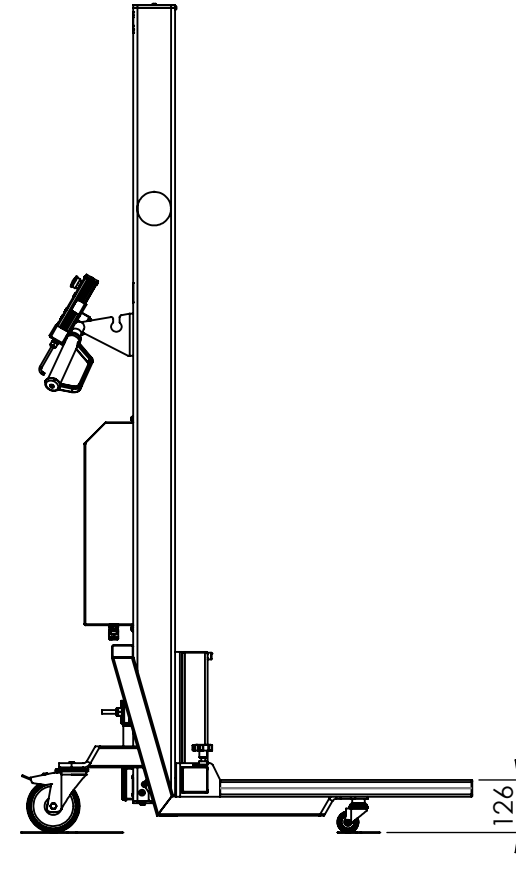
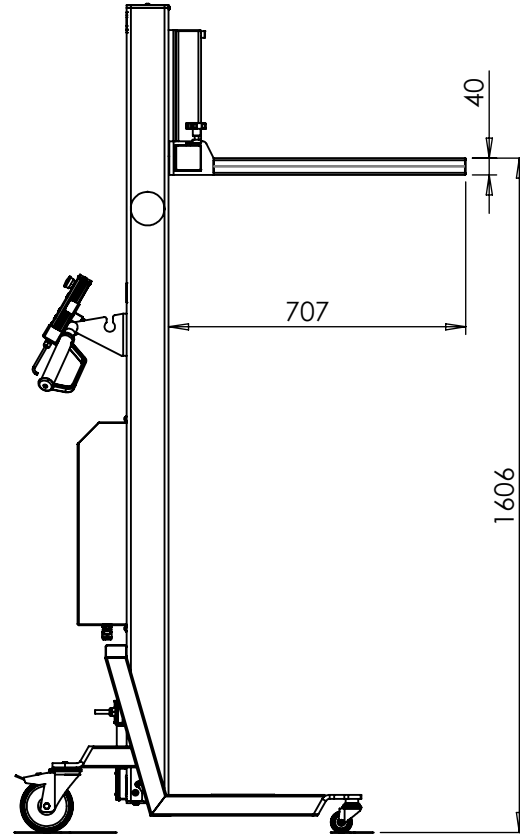
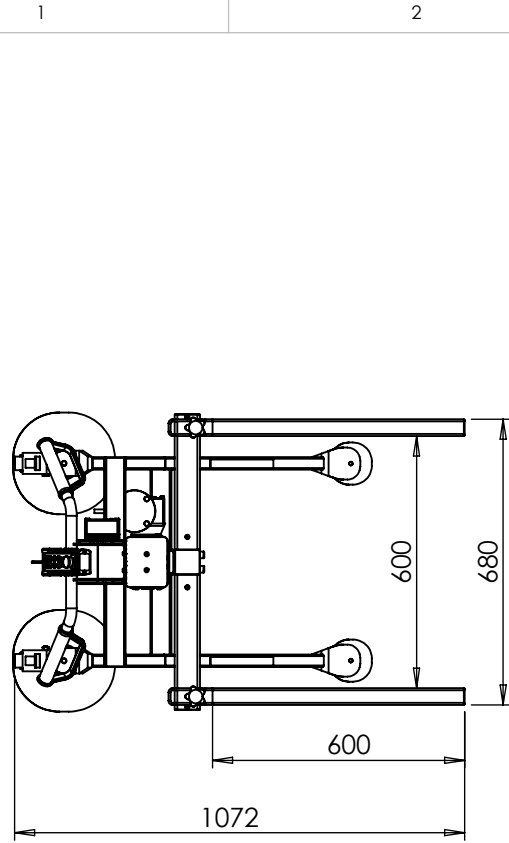
1029326

A4

WEIGHT:

SCALE:1:18

SHEET 2 OF 6



UNLESS OTHERWISE SPECIFIED:
 DIMENSIONS ARE IN MILLIMETERS
 SURFACE FINISH:
 TOLERANCES: ISO 2768-mK
 LINEAR:
 ANGULAR:

FINISH:

DEBUR AND
 BREAK SHARP
 EDGES

DO NOT SCALE DRAWING

REVISION

2Lift ApS

TITLE: B-80M-AF

	NAME	SIGNATURE	DATE		
DRAWN	MHH				
UPD'D					

MATERIAL:

DWG NO.

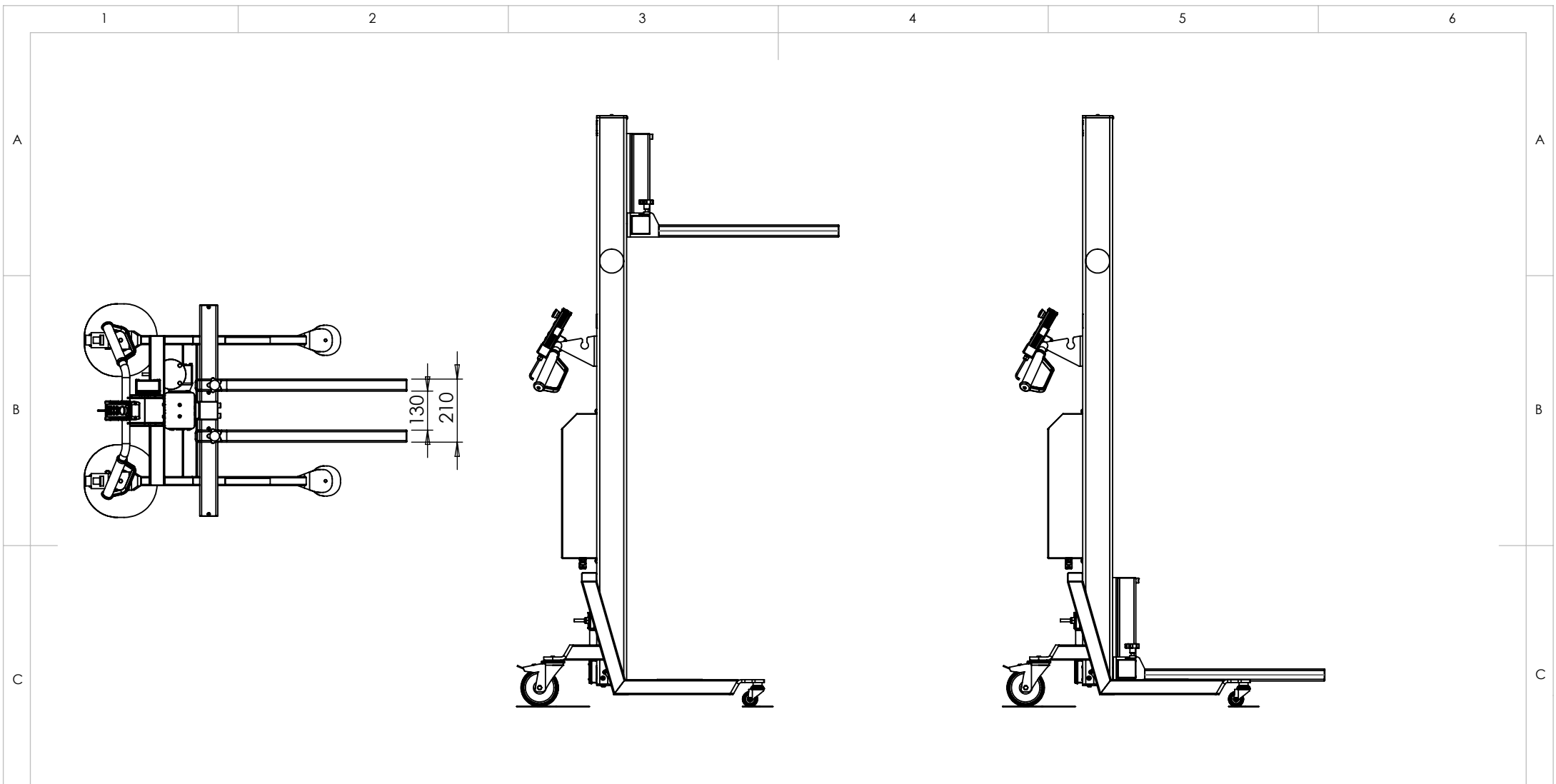
1029326

A4

WEIGHT:

SCALE:1:18

SHEET 3 OF 6



UNLESS OTHERWISE SPECIFIED:
 DIMENSIONS ARE IN MILLIMETERS
 SURFACE FINISH:
 TOLERANCES: ISO 2768-mK
 LINEAR:
 ANGULAR:

FINISH:

 DEBUR AND
 BREAK SHARP
 EDGES

DO NOT SCALE DRAWING
 REVISION

2Lift ApS

	NAME	SIGNATURE	DATE		
DRAWN	MHH				
UPD'D					

TITLE: B-80M-AF

MATERIAL:

 WEIGHT:

DWG NO. **1029326** A4