

1

2

3

4

5

6

A

A

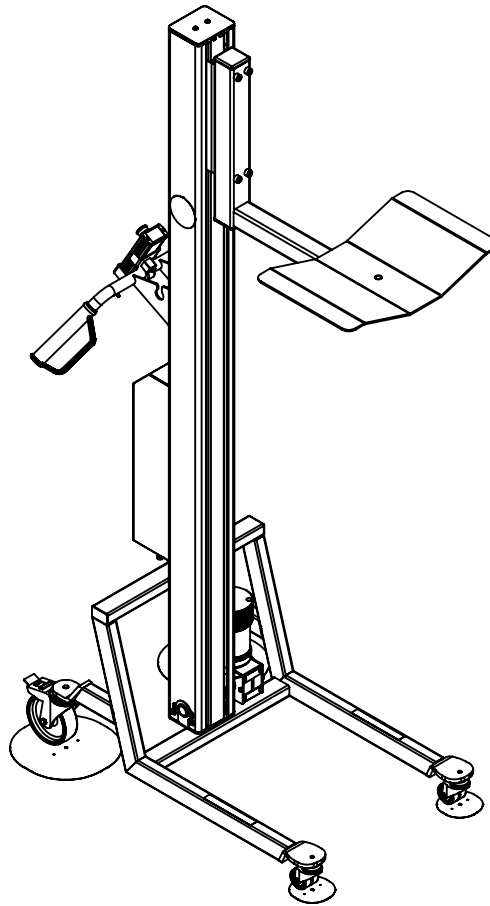
B

B

C

C

D



UNLESS OTHERWISE SPECIFIED:  
 DIMENSIONS ARE IN MILLIMETERS  
 SURFACE FINISH:  
 TOLERANCES: ISO 2768-mK  
 LINEAR:  
 ANGULAR:

FINISH:

DEBUR AND  
BREAK SHARP  
EDGES

DO NOT SCALE DRAWING

REVISION

# 2Lift ApS

TITLE: B-80M-VB

	NAME	SIGNATURE	DATE		
DRAWN	MKM				
UPD'D					

MATERIAL:

DWG NO.

# 1029525

A4

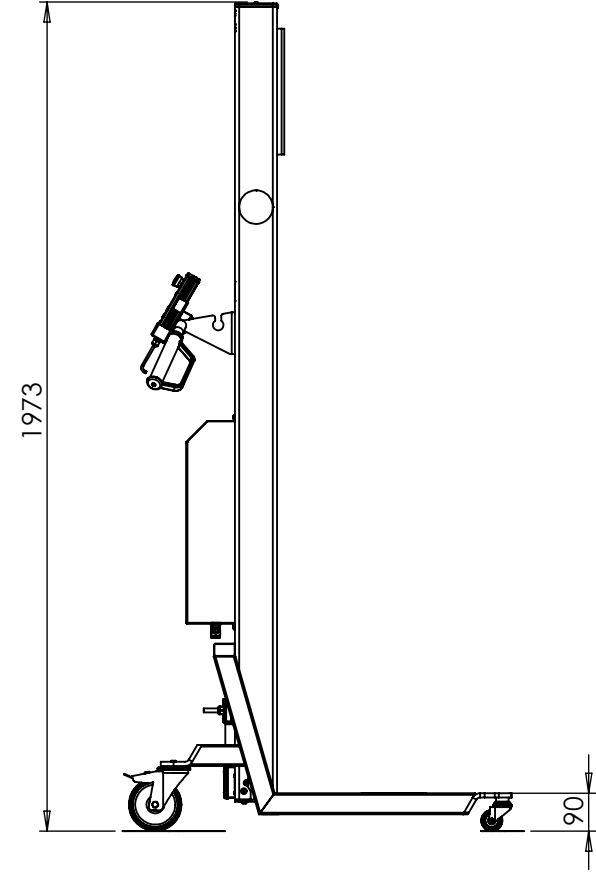
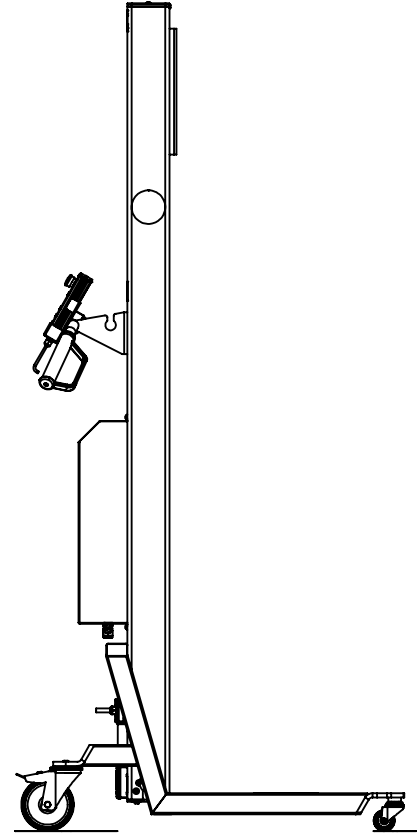
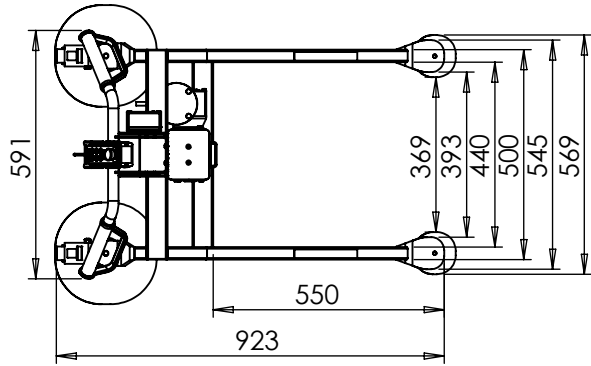
WEIGHT:

SCALE:1:50

SHEET 1 OF 7

1

2



UNLESS OTHERWISE SPECIFIED:  
 DIMENSIONS ARE IN MILLIMETERS  
 SURFACE FINISH:  
 TOLERANCES: ISO 2768-mK  
 LINEAR:  
 ANGULAR:

FINISH:

DEBUR AND  
 BREAK SHARP  
 EDGES

DO NOT SCALE DRAWING

REVISION

# 2Lift ApS

	NAME	SIGNATURE	DATE		
DRAWN	MKM				
UPD'D					

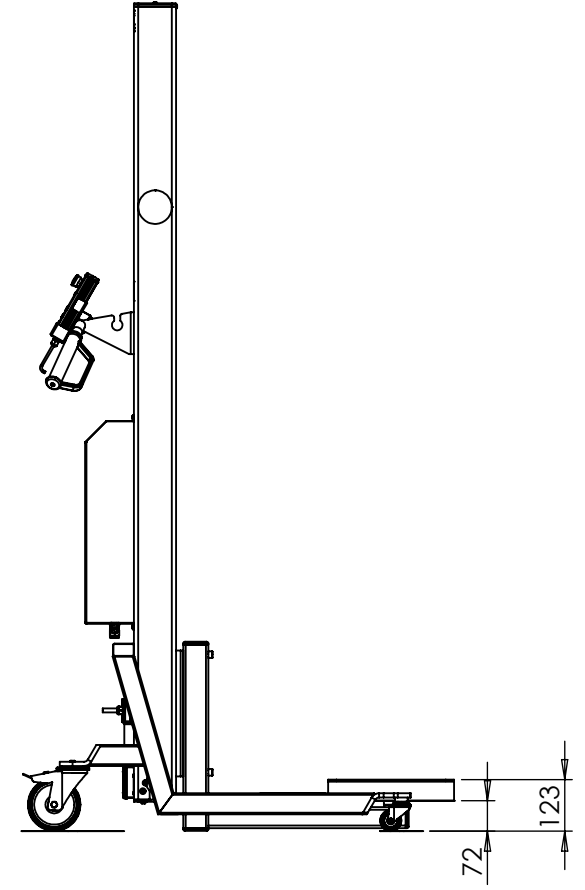
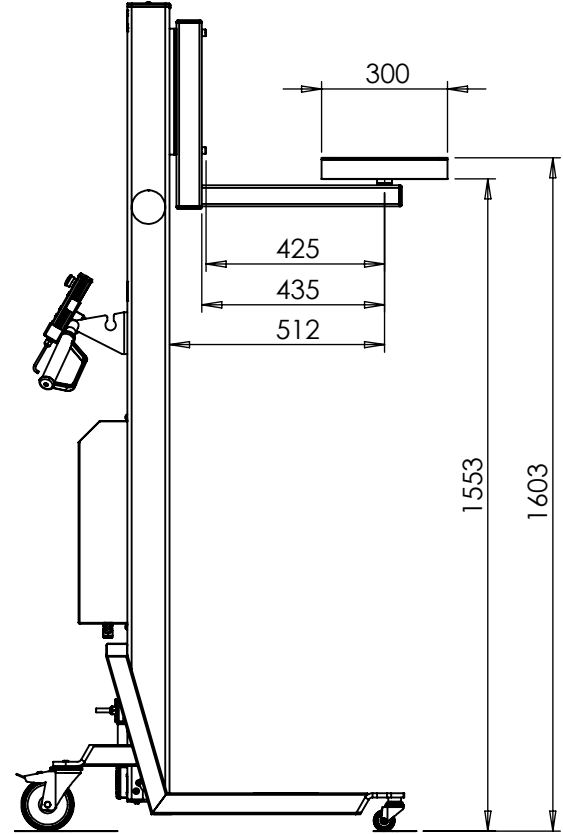
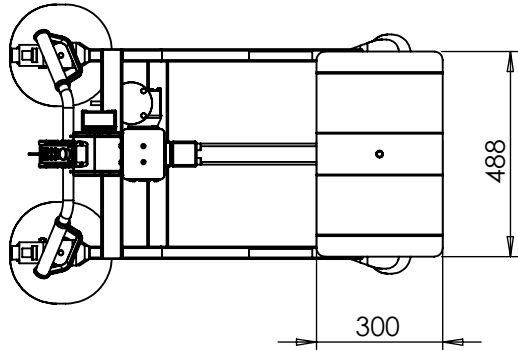
TITLE: B-80M-VB

MATERIAL:

DWG NO. **1029525** A4

WEIGHT:

SCALE: 1:18 SHEET 2 OF 7



UNLESS OTHERWISE SPECIFIED:  
 DIMENSIONS ARE IN MILLIMETERS  
 SURFACE FINISH:  
 TOLERANCES: ISO 2768-mK  
 LINEAR:  
 ANGULAR:

FINISH:

DEBUR AND  
 BREAK SHARP  
 EDGES

DO NOT SCALE DRAWING

REVISION

# 2Lift ApS

	NAME	SIGNATURE	DATE	
DRAWN	MKM			
UPD'D				

TITLE: B-80M-VB

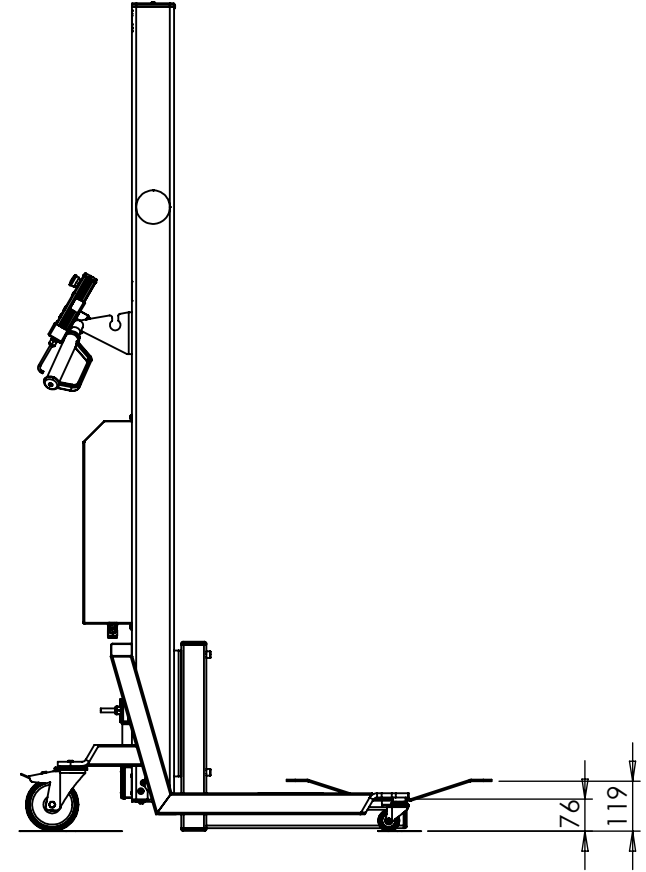
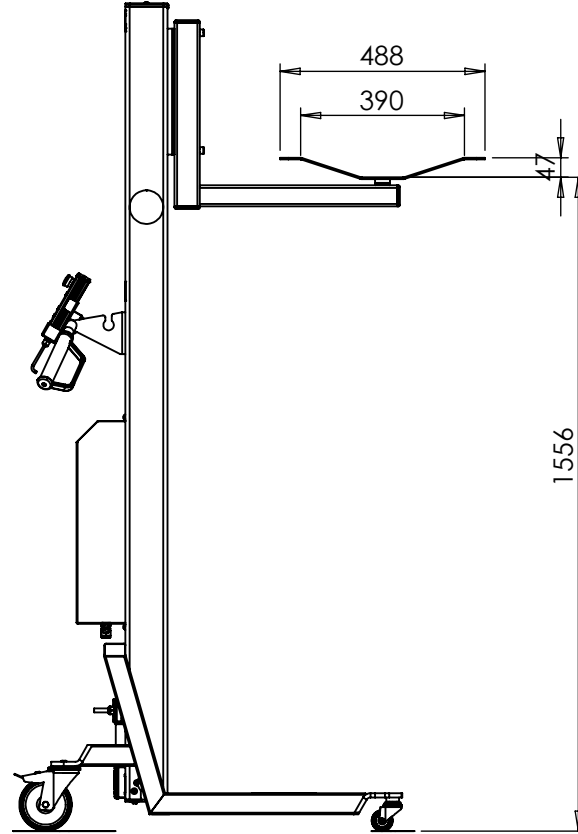
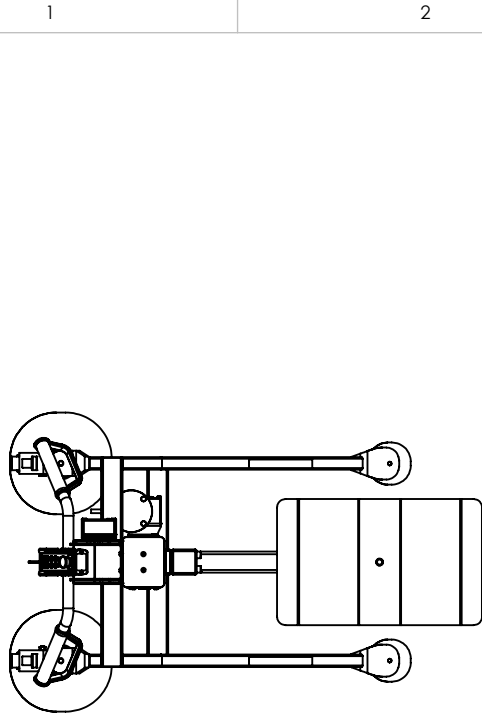
DWG NO. **1029525**

A4

WEIGHT:

SCALE:1:18

SHEET 3 OF 7



UNLESS OTHERWISE SPECIFIED:  
 DIMENSIONS ARE IN MILLIMETERS  
 SURFACE FINISH:  
 TOLERANCES: ISO 2768-mK  
 LINEAR:  
 ANGULAR:

FINISH:

DEBUR AND  
 BREAK SHARP  
 EDGES

DO NOT SCALE DRAWING

REVISION

# 2Lift ApS

TITLE: B-80M-VB

	NAME	SIGNATURE	DATE	
DRAWN	MKM			
UPD'D				

MATERIAL:

DWG NO.

# 1029525

A4

WEIGHT:

SCALE:1:18

SHEET 4 OF 7